



GENUINE PARTS

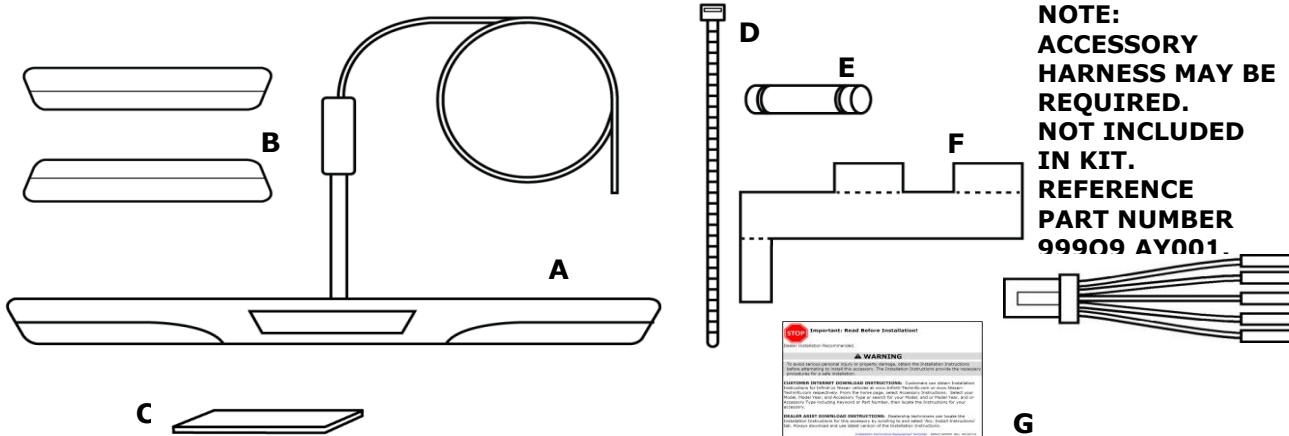
INSTALLATION INSTRUCTIONS

- 1. DESCRIPTION:** Illuminated Kick Plate Kit
- 2. APPLICATION:** Rogue
- 3. PART NUMBER:** 999G6 G2600, 999G6 G2500, 999G6 G2000
999Q9 AY001 - Accessory Service Connector
- 4. KIT CONTENTS:**

Item	QTY	Description	Service Part Number
A	2	Illuminated Front Kick Plate	Not Serviceable- Part of Kit 999G6 G2x00
B	2	Non-Illuminated Rear Kick Plate	
C	2	Foam Tape	
D	16	Cable Tie	
E	4	Posi-Tap	
F	2	Template- front IKP placement, cardboard	
G	1	Internet Website Address, paper, 999V2 AW000	

ITEMS NOT IN KIT THAT MAY BE REQUIRED

2	Accessory Service Connector	999Q9 AY001
---	-----------------------------	-------------



5. TOOLS REQUIRED

- Trim removal tool
- Protective gloves
- Protective cloth
- Wire cutting pliers
- Electrical tape
- 50/50 alcohol/water solution

6. PRE-INSTALLATION CAUTION/NOTES

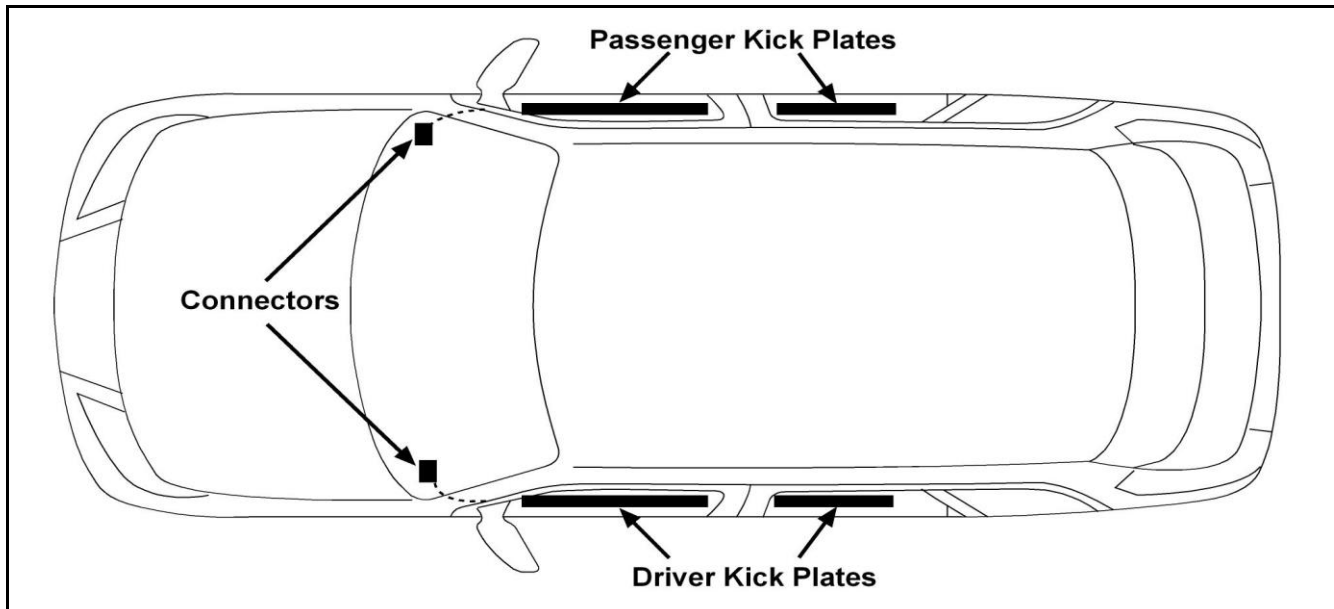
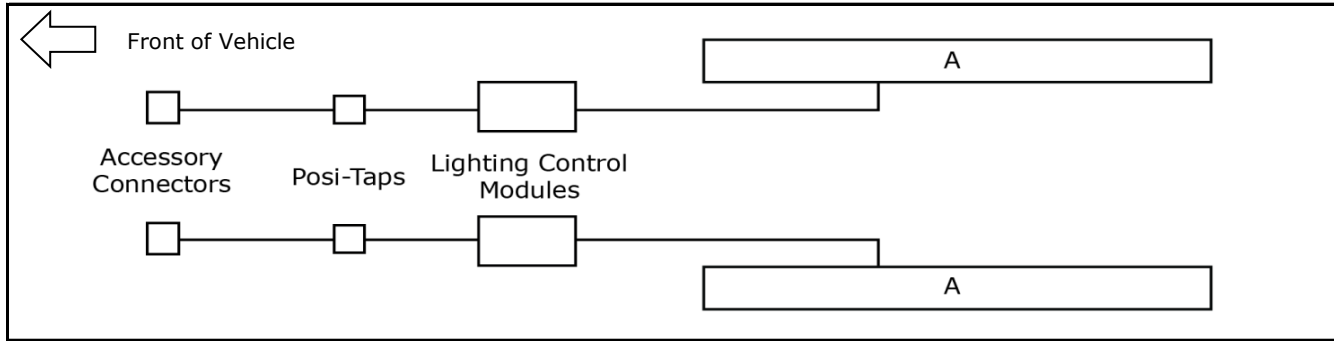
- Dealer installation recommended. Instructions may refer to Service Manual
- Installation may require special tools
- This part is to be installed within a surface temperature range of 60-110°F
- Install one side completely before starting on the other side

CAUTION

- This accessory must only be installed as specified in these instructions.
- Ensure at all times that parts are securely fitted and will not compromise the safe function of vehicle systems.

INSTALLATION INSTRUCTIONS - Illuminated Kick Plate Kit

7. INSTALLATION OVERVIEW



⚠ CAUTION

CRITICAL STEPS TO DISCONNECT BATTERY:

- Allow 3 min after key off and doors closed for vehicle to time out (if doors are opened again additional time may be required). Disconnect negative terminal. Allow an additional 3 min after negative terminal disconnect before separating any electrical connectors.

8. CRITICAL STEPS

The following steps are critical and must be performed **EXACTLY** as specified to ensure proper installation:

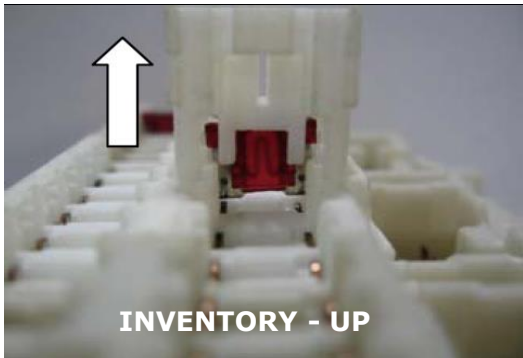
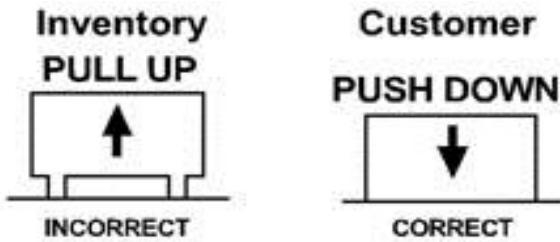
- Location of the lights must be followed exactly as described in this instruction.
- Posi-Tap™ instructions must be specifically followed as described.
- Be sure to apply masking tape as needed in order to protect any areas that may become scratched or damaged by tools.
- Be sure to apply foam tape to any wiring components that can be damaged over time by sharp edges.
- Test the functionality of the kit before final clean up and reinstallation of interior panels.

INSTALLATION INSTRUCTIONS - Illuminated Kick Plate Kit

9. VEHICLE PREPARATION:

- 1) Apply parking brake
- 2) Confirm the vehicle is no longer in the default shipping state (Extended Storage Switch Pulled Up and BCM in Transit Mode). Failure to confirm the vehicle has been removed from this state will result in the loss of normal vehicle operation.

3a) Locate the Extended Storage Switch in the cabin fuse block. Once located, check that it is in the "Customer" position. See below for reference.



3b) **To remove transit mode:**

1. Remove fuse cover lid
2. Push down shorting pin
3. Ign On 2 times without turning vehicle on

To return to transit mode:

1. Ign Off
2. Remove fuse cover lid
3. Pull up shorting pin
4. Assemble fuse cover lid
5. Ign On 2 times without turning vehicle on
6. Confirm transit mode condition on meter

NOTE: Typical vehicle condition shown here. Switch is easily identifiable by the permanent, push-pull fuse holder. Actual position on the fuse block may vary, vehicle to vehicle.

4) Record customer radio presets.

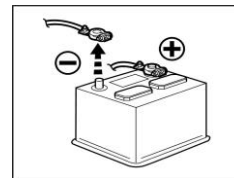
	1	2	3	4	5
A					
B					
C					

NOTE: USE CAUTION WHEN REMOVING / RE-INSTALLING TRIM COMPONENTS TO AVOID DAMAGE, SCRATCHES, BREAKING OF CLIPS AND / OR INTERIOR TRIM PANELS. MOVE ALL TRIM COMPONENTS TO A PROTECTED AREA.

⚠ WARNING

FOR VEHICLES WITH MANUALLY OPERATED SEATS
Disconnect negative battery terminal before proceeding.

FOR VEHICLES WITH POWER SEATS
Disconnect negative battery terminal AFTER Step 3



10. Order of Installation

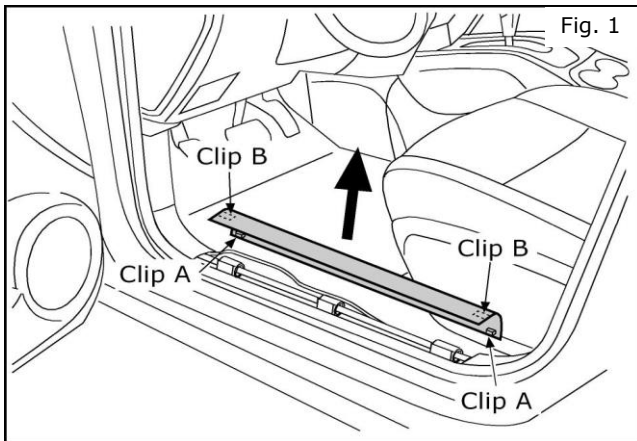
1. Remove panels and trim.
2. Install Kick Plate Assemblies
3. Route Wiring
4. Reinstall all panels

INSTALLATION INSTRUCTIONS - Illuminated Kick Plate Kit

11. INTERIOR PREPARATION

BEGIN ON DRIVER SIDE

1. Move driver seat to full forward position. Remove inner door sill trim panel.



2. Place fingers at clip (A) which is located at inner rear and front end, and pull out with a slight rotating motion until clip A is popped loose, then pull up to remove door sill trim panel.



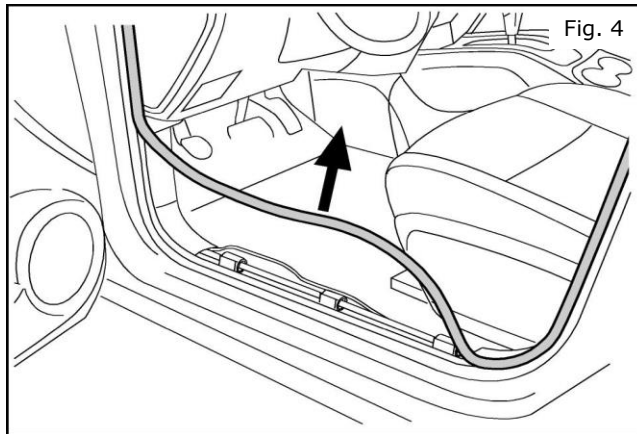
3. Move driver and passenger seat to full back position.



FOR VEHICLES WITH POWER SEATS

Disconnect negative battery terminal at this time.

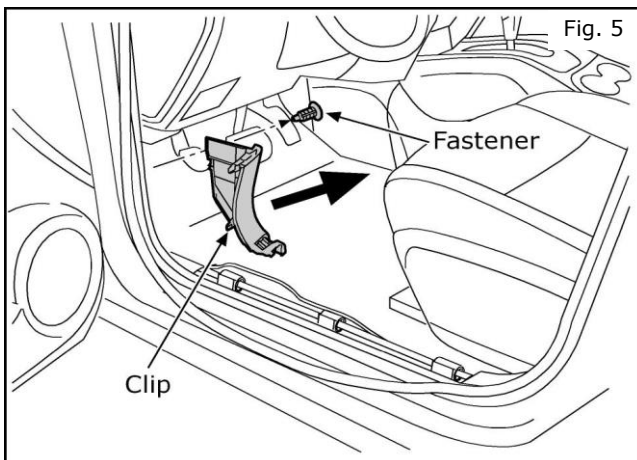
4. Carefully pull up the door seal welt from bottom of dash to back of sill plate as shown.



5. Remove one (1) fastener from the outer footwell trim panel (LH). Use a trim stick to carefully pry off the trim panel, pulling the part horizontally toward center of vehicle.

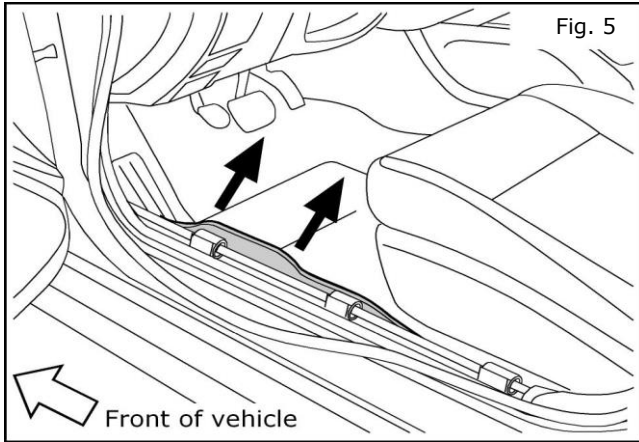
NOTE: Be careful not to damage the clip on the lower portion of the panel.

6. REPEAT STEPS 1 THROUGH 5 FOR PASSENGER SIDE (RH).



INSTALLATION INSTRUCTIONS - Illuminated Kick Plate Kit

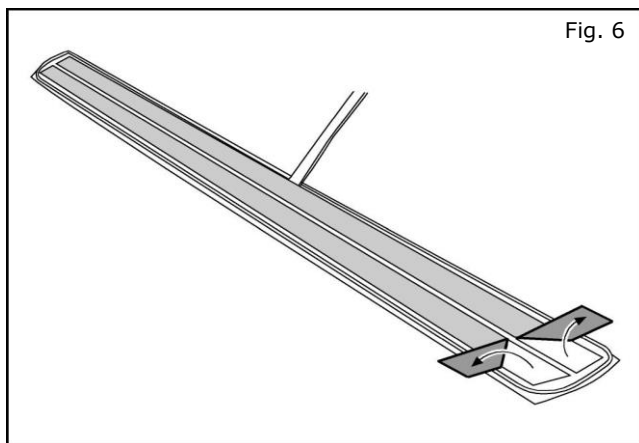
12. INSTALLATION



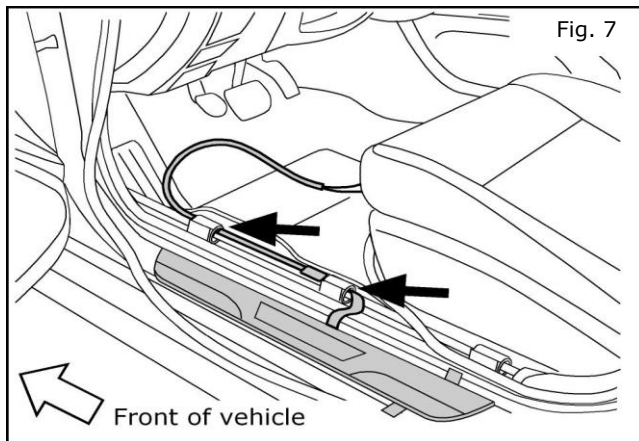
DRIVER SIDE INSTALLATION

- Carefully pull back carpet edge to expose existing harness and clips.

NOTE: Clean all mounting surfaces with alcohol wipe before final installation.



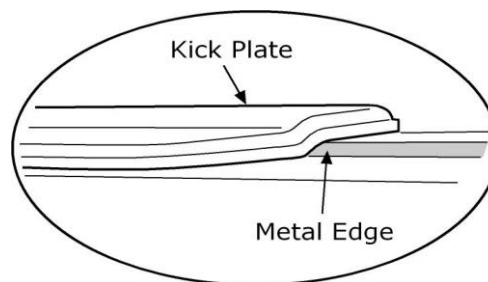
- Carefully flip the driver Kick Plate over. Partially peel away enough of each adhesive liner to fold down a "flag" that will extend beyond the outer edge of the Kick Plate.



- Place Illuminated Kick Plate into position on the driver side door sill. Feed the end of the wiring up through the existing harness clips towards the footwell.

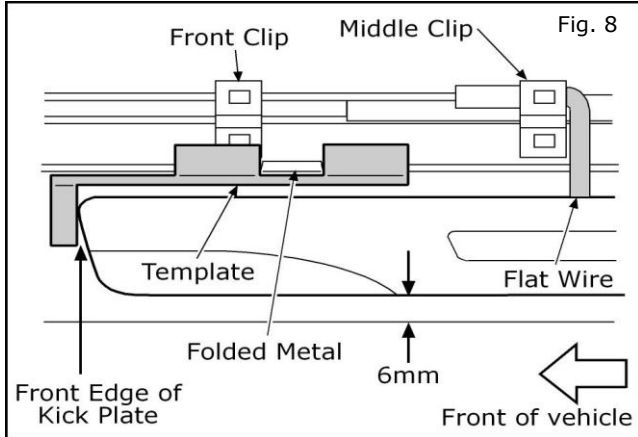
NOTE: Do not remove clear protective film until procedure is complete.

NOTE: Be sure to align kick plate bend with the formed edge in the door sill sheet metal.



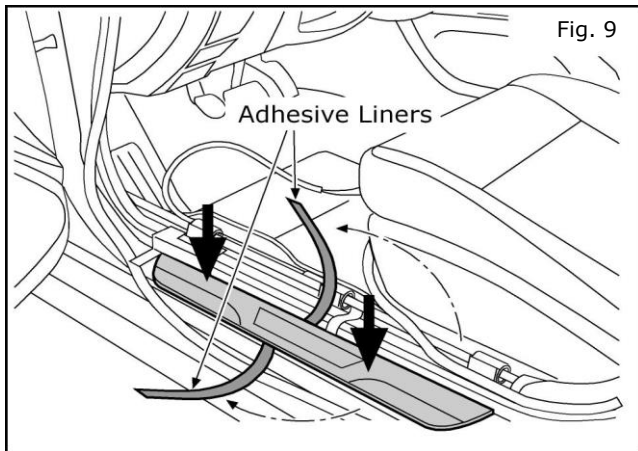
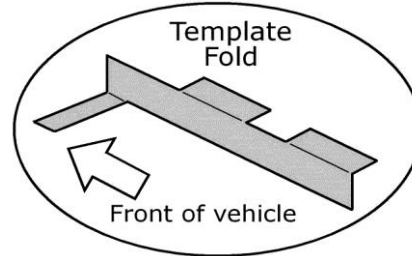
INSTALLATION INSTRUCTIONS - Illuminated Kick Plate Kit

12. INSTALLATION



8. Fold the cardboard template provided in the kit and place it over the sheet metal edge of the door sill. The cut-out in the template should be aligned with the metal tab folded over the sheet metal just behind the front clip as shown. Position the Kick Plate so the forward edge touches the template as shown. The Kick Plate should be **6mm** from the outermost edge of the door sill.

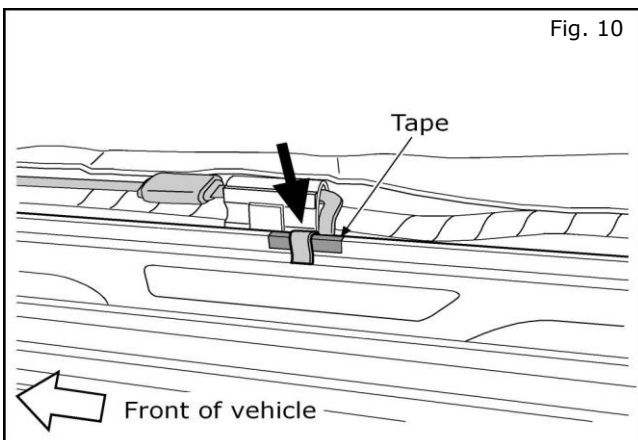
NOTE: Flat wiring should be positioned directly behind the center harness clip.



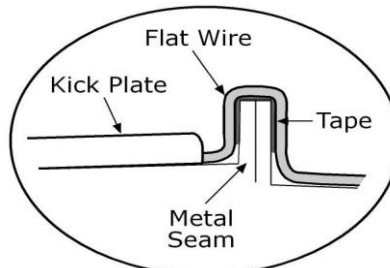
9. Carefully hold Kick Plate in position and remove the liners from the adhesive strips.

Apply minimum 15 lbs of downward pressure evenly along the Kick Plate for at least 30 seconds.

NOTE: Remove template once kick plate is pressed into place.

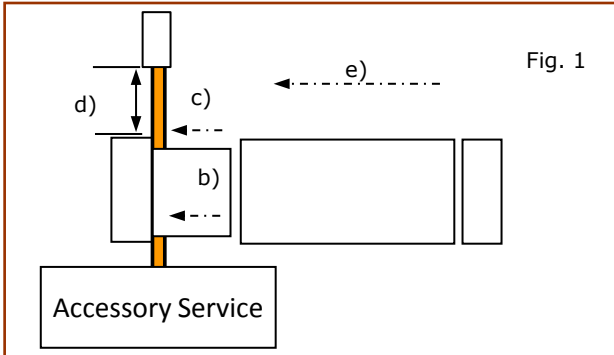


10. Cover the sheet metal edge under the wiring with a piece of foam tape. Remove all slack from the wiring at the plate end. Carefully bend the flat wire to fit tightly over the sheet metal edge.



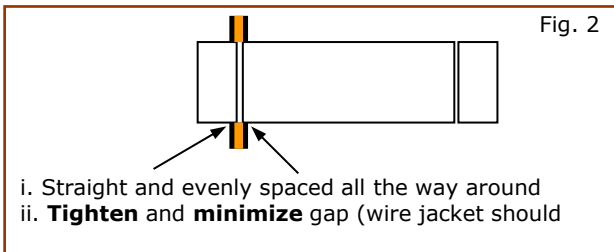
INSTALLATION INSTRUCTIONS - Illuminated Kick Plate Kit

POSI TAP INSTRUCTIONS



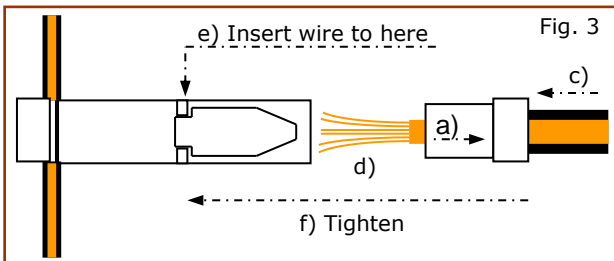
- 1) Tap Accessory service wire.
 - a) Identify and confirm correct wire in the Accessory Service Connector to be tapped.
 - b) Remove cap (slot side) from tap body.
 - c) Slide cap around single accessory wire.
 - d) Position cap $\geq 6.35\text{mm}(0.25\text{ in})$ away from the heat shrink end of Accessory Service Connector (measurement for first posi-tap installed on the circuit).
 - e) Tighten the tap TIGHT with finger pressure.
 - f) Tighten by another quarter turn.

NOTE: Figures are not to scale.

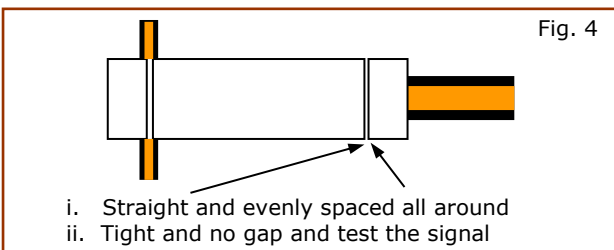


- 2) Inspect the tap to ensure correct installation.
 - a) Pull on the wire lightly to ensure connection.
 - b) Inspect the tap to ensure correct installation.
 - c) Test the signal to ensure that it is working properly.

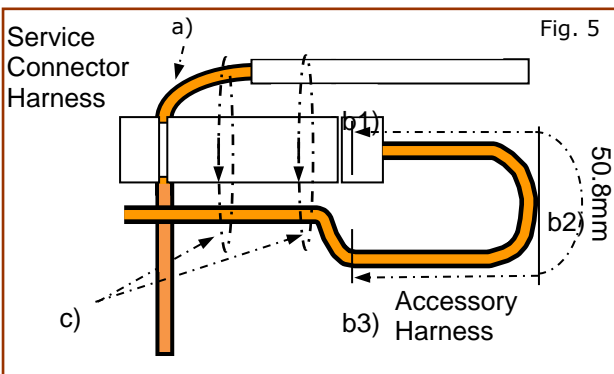
NOTE: Avoid putting pressure on the vehicle wire and tap for the remainder of the installation.



- 3) Tap accessory wire.
 - a) Remove tap (non-pierce) side from tap.
 - b) Remove the protective stub from the wire.
 - c) Insert wire through the non-pierce side opening.
 - d) Spread the individual strands into fan shape.
 - e) Insert wire into the tap body and ensure that it is all the way in.
 - f) Tighten the tap TIGHT with finger pressure.
 - g) Tighten by another quarter turn.



- 4) Confirm the tapped accessory wire.
 - a) Pull on the wire lightly to ensure connection.
 - b) Inspect the tap to ensure correct installation.
 - c) Test the signal to ensure that it is working properly.



- 5) Forming strain relief loop (always required)
 - a) Gently bend the end of the pierced wire (where it exits the cap) down towards body of posi-tap.
 - b) On the tapped wire of the non-pierce side; starting at point b1), measure $50.8\text{mm}(2\text{ in})$ to point b3). Make the first bend of the loop b2), half the distance measured $25.4\text{mm}(1\text{ in})$, and up toward the body of the posi-tap, make the second bend of the loop b3) in towards the posi-tap so it can be secured with electrical tape.
 - c) Secure the pierced wire on the heat shrink side and the tapped wire on the non-pierce side to the body of the tap with electrical tape (≥ 2 revolutions).

INSTALLATION INSTRUCTIONS - Illuminated Kick Plate Kit

POSI TAP INSTRUCTIONS

NOTE: If securing multiple taps to single circuit, continue to Step 6, if tapping different circuits repeat steps 1-5 as required, then proceed to step 10

- 6) Multiple posi-taps on the same wire; first tap
- The first accessory is tapped, relieved and secured as shown in Fig 1 thru 5 (these steps are always the same).
 - Measure 25.4mm(1in) from point b) to point c) on the pierced wire.
 - At points b) & c), bend the pierced wire gently to form the "staircase" shape.

- 7) Multiple posi-taps; second accessory.
- Tap second accessory at point b), making sure to preserve "staircase shape".
 - After tapping second accessory, form a strain relief loop for the tapped wire on the non-pierce side as shown in Fig c) and detailed in step 5b).

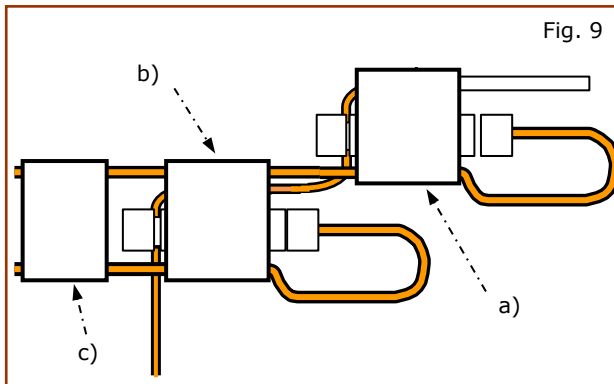
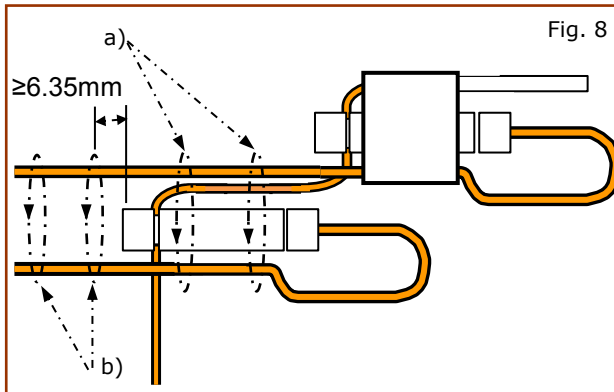
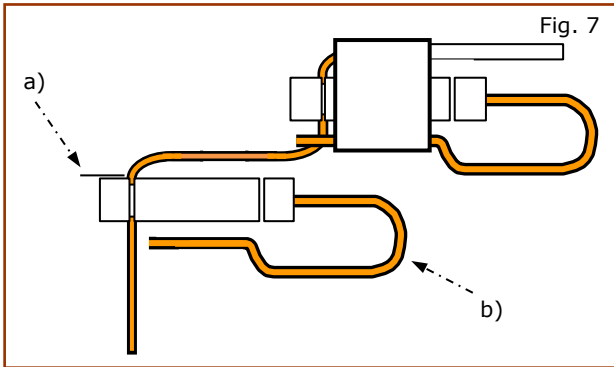
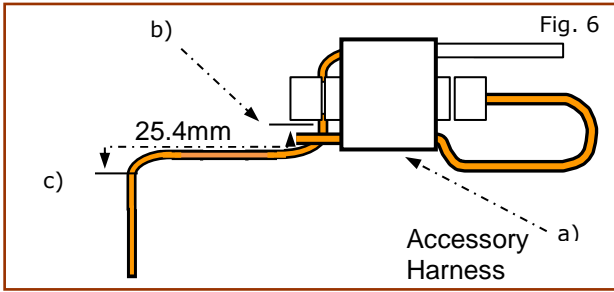
NOTE: Do not secure before reading step 8. Repeat as necessary.

- 8) Securing multiple posi-taps on the same circuit
- Secure the pierced and tapped wires from the first posi-tap, along with the tapped wire from the non pierce side of the 2nd posi-tap to the body of the 2nd tap with electrical tape (≥ 2 revolutions).
 - Secure the tapped wires from the non-pierced sides of each tap to each other with electrical tape (≥ 2 revolutions) at a distance of $\geq 6.35\text{mm}$ (0.25in) from the head of last posi-tap shown in Fig b).

Note: Repeat as required

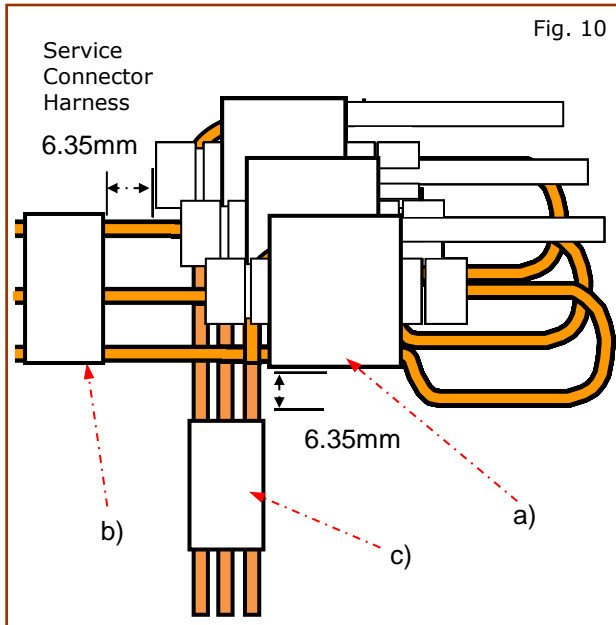
Note: No single wire should be posi-tapped more than four times to maintain integrity.

- 9) Multiple accessory taps on the same circuit secured.
- The first accessory is tapped, relieved and has the pierced wire on the heat shrink side and the tapped wire on the non-pierce side secured to the first tap as shown in Fig a).
 - The second accessory is tapped, relieved and has the pierced wire, the tapped wire on the non-pierce side and the tapped wire from the non-pierce side of the first posi-tap secured to the second tap as shown in Fig b).
 - Finally the tapped wires on the non-pierce



INSTALLATION INSTRUCTIONS - Illuminated Kick Plate Kit

POSI TAP INSTRUCTIONS



- 10) Multiple accessory taps on different circuits secured together.
- a) The tapped accessories (with wires already secured to tap bodies) are stacked slightly staggered on top of each other as shown in Fig a).
 - b) The tapped wires on the non-pierce side of all the posi-taps are secured to each other with electrical tape (≥ 2 revolutions) at a distance of $\geq 6.35\text{mm}$ (0.25in) as shown in Fig b).
 - c) The pierced wires of the first and subsequent posi-taps are secured to each other with electrical tape (≥ 2 revolutions) at a distance of $\geq 6.35\text{mm}$ (0.25in) as shown in Fig c).

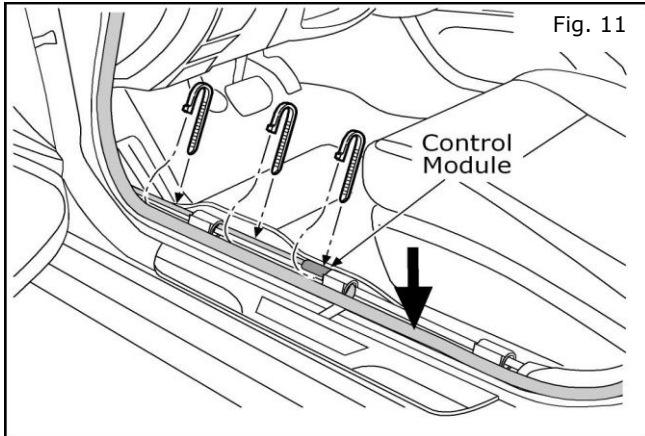
CAUTION: This Accessory Service Connector is for use only with Genuine Nissan (or Infiniti) approved accessories. Use of this connector with non Genuine Nissan (or Infiniti) approved accessories or failure to follow the installation instructions for the connector contained in this package may result in damage to the accessory and/or your vehicle. Nissan (or Infiniti) is not liable for loss or damage due to improper installation or the installation of non Genuine or non approved accessories.

INSTALLATION INSTRUCTIONS - Illuminated Kick Plate Kit

12. INSTALLATION

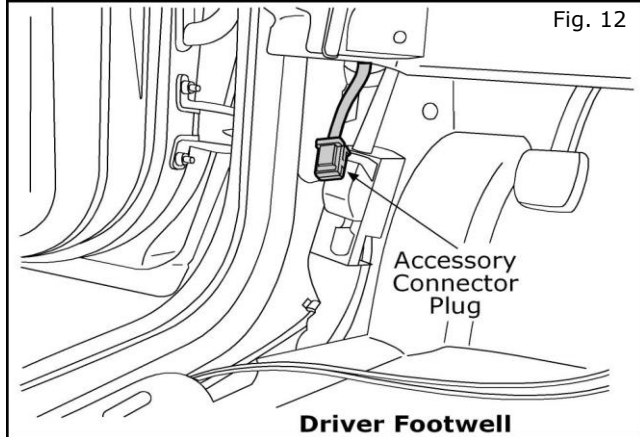
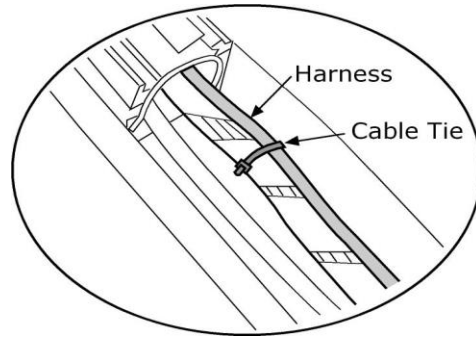
CAUTION

- If a vehicle wire is being used by another accessory and a posi-Tap is present, tap the accessory wire NOT the vehicle wire.



11. Press the door seal welt back down into position. Route the wires along the existing harness. Secure with cable ties as shown.

NOTE: Be sure to secure the Control Module just ahead of the middle clip with a cable tie.



12. Locate the driver side Accessory Connector plug. It will be located below the dash along the outer wall of the footwell.

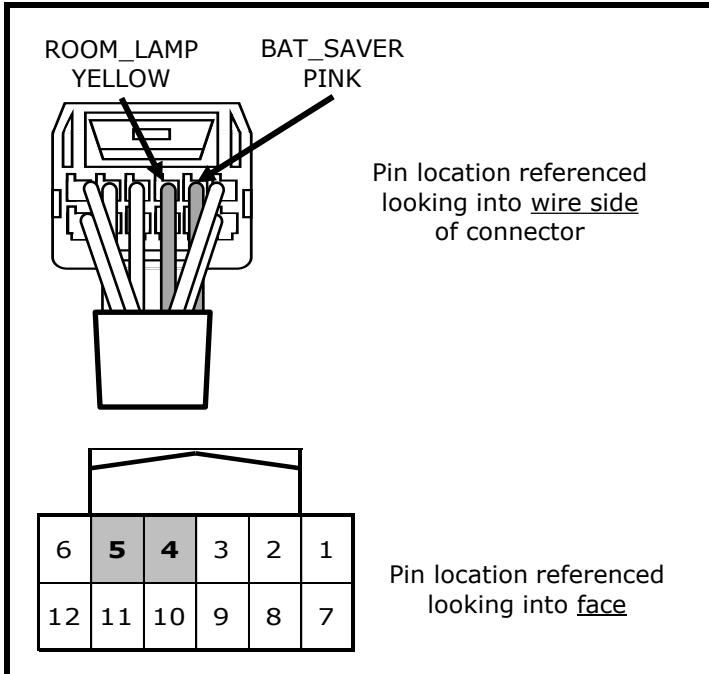
NOTE: A previously installed accessory may be present. If so, carefully remove the accessory connector harness from the accessory connector plug before posi-tapping. It is recommended that all posi-tapping be completed before reattaching the accessory connector harness to the plug.

INSTALLATION INSTRUCTIONS - Illuminated Kick Plate Kit

ACCESSORY CONNECTOR MECHANIZATION

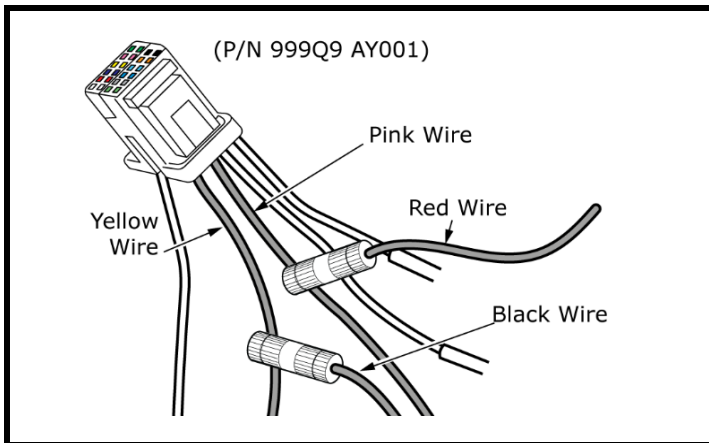
CAUTION

This Accessory Service Connector is for use only with Genuine Nissan (or Infiniti) or Nissan (or Infiniti) approved accessories. Use of this connector with non Genuine Nissan (or Infiniti) or Nissan (or Infiniti) approved accessories or failure to follow the installation instructions for said connector being mentioned herein may result in damage to the accessory and/or your vehicle. Nissan (or Infiniti) is not liable for loss or damage due to improper installation or the installation of non Genuine or non approved accessories.



1) Accessory Service Connector pin-out is shown.

ACCESSORY SERVICE CONNECTOR NOT INCLUDED IN KIT. REFERENCE PART NUMBER 999Q9 AY001.

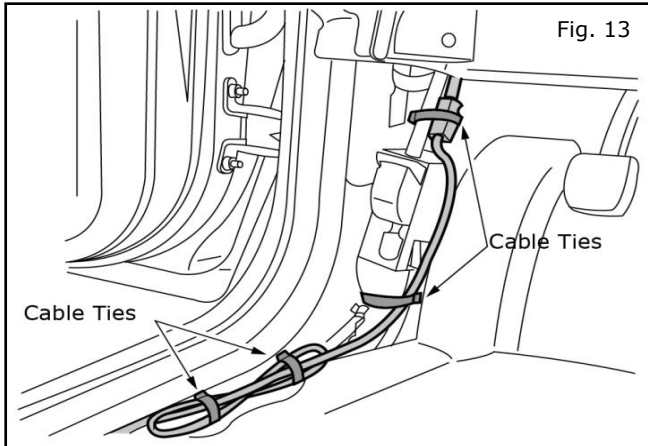


2) Using a Posi-Tap (E), connect the BLACK IKP lead wire to the "ROOM_LAMP" (YELLOW wire) of the ASC as shown.

3) Using a Posi-Tap (E), connect the RED IKP lead wire to the "BAT_SAVER" (PINK wire) of the ASC as shown.

INSTALLATION INSTRUCTIONS - Illuminated Kick Plate Kit

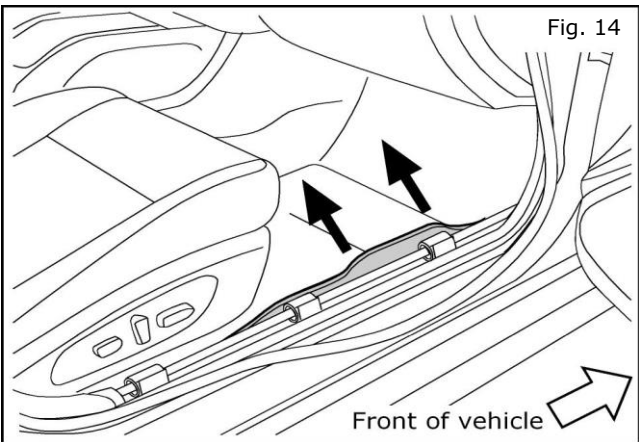
12. INSTALLATION



13. Plug the Accessory Connector Harness into the vehicle connector plug on the driver side. Bundle any excess wiring as shown and use cable ties to secure the connector to the existing harness.

NOTE: Refer to Posi-Tap steps on pages 7 through 9 for proper wire wrapping procedures.

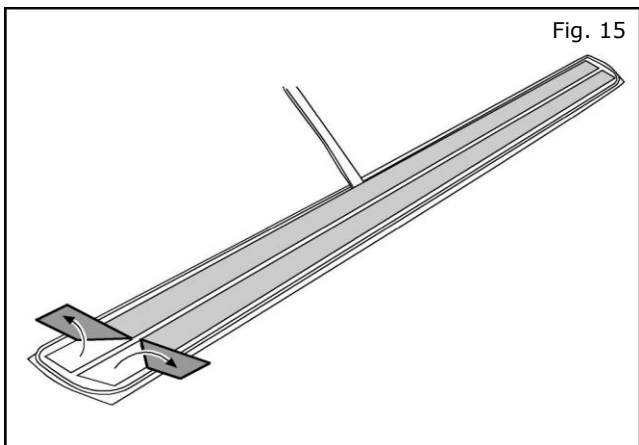
**HARNESS NOT INCLUDED IN KIT.
REFERENCE PART NUMBER
999Q9 AY001.**



PASSENGER SIDE INSTALLATION

14. Carefully pull back carpet edge to expose existing harness and clips.

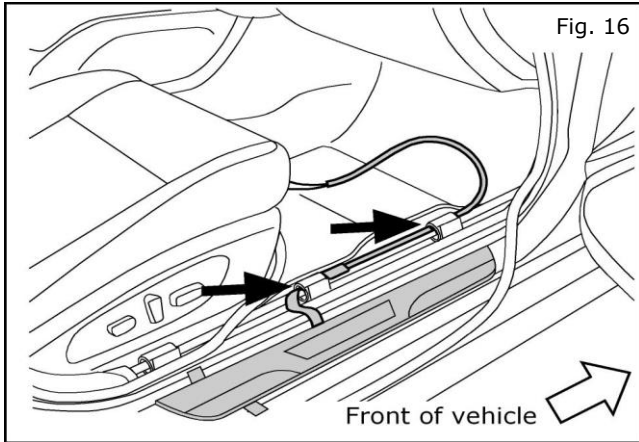
NOTE: Clean all mounting surfaces with alcohol wipe before final installation.



15. Carefully flip the passenger side Kick Plate over. Partially peel away enough of each adhesive liner to fold down a "flag" that will extend beyond the outer edge of the Kick Plate.

INSTALLATION INSTRUCTIONS - Illuminated Kick Plate Kit

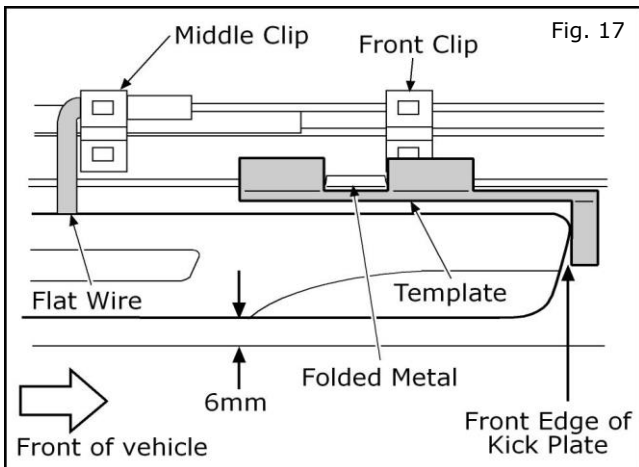
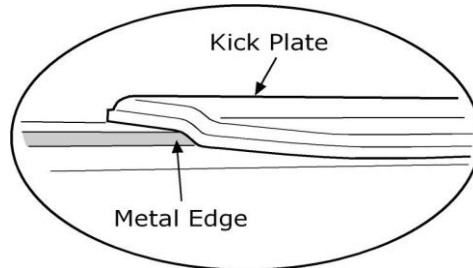
12. INSTALLATION



16. Place Illuminated Kick Plate into position on the driver side door sill. Feed the end of the wiring up through the existing harness clips towards the footwell.

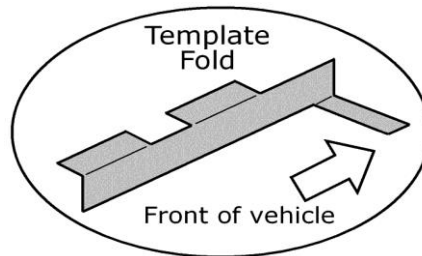
NOTE: Do not remove clear protective film until procedure is complete.

NOTE: Be sure to align kick plate bend with the formed edge in the door sill sheet metal.



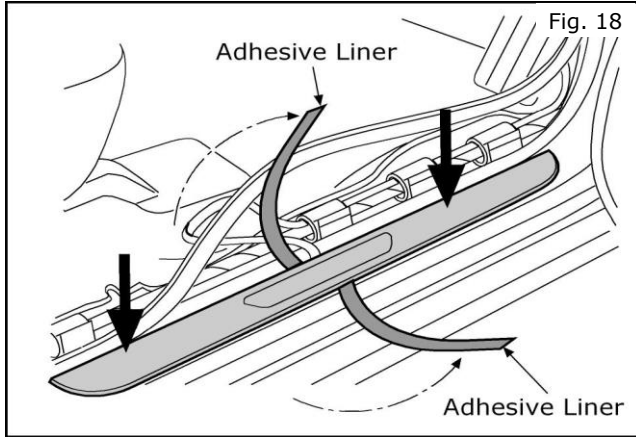
17. Fold the cardboard template provided in the kit and place it over the sheet metal edge of the door sill. The cut-out in the template should be aligned with the metal tab folded over the sheet metal just behind the front clip as shown. Position the Kick Plate so the forward edge touches the template as shown. The Kick Plate should be **6mm** from the outermost edge of the door sill.

NOTE: Flat wiring should be positioned directly behind the center harness clip.



INSTALLATION INSTRUCTIONS - Illuminated Kick Plate Kit

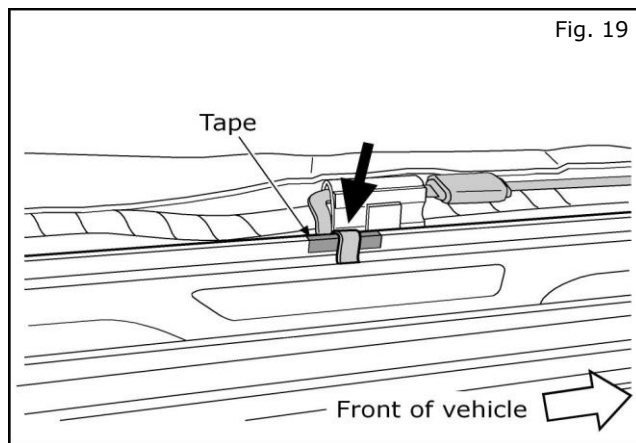
12. INSTALLATION



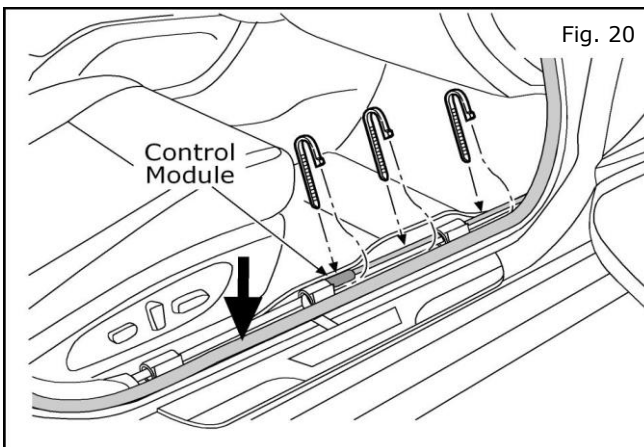
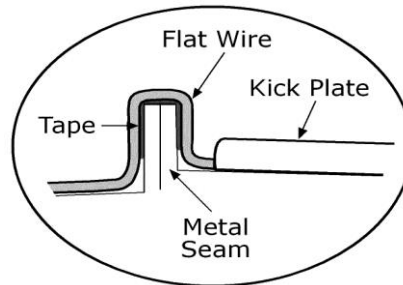
18. Carefully hold Kick Plate in position and remove the liners from the adhesive strips.

Apply minimum 15 lbs of downward pressure evenly along the Kick Plate for at least 30 seconds.

NOTE: Remove template once kick plate is pressed into place.



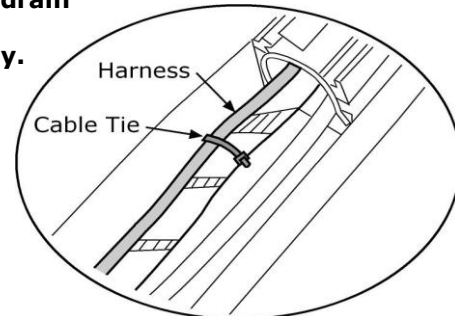
19. Cover the sheet metal edge under the wiring with a piece of foam tape. Remove all slack from the wiring at the plate end. Carefully bend the flat wire to fit tightly over the sheet metal edge.



20. Press the door seal welt back down into position. Route the wires along the existing harness. Secure with cable ties as shown.

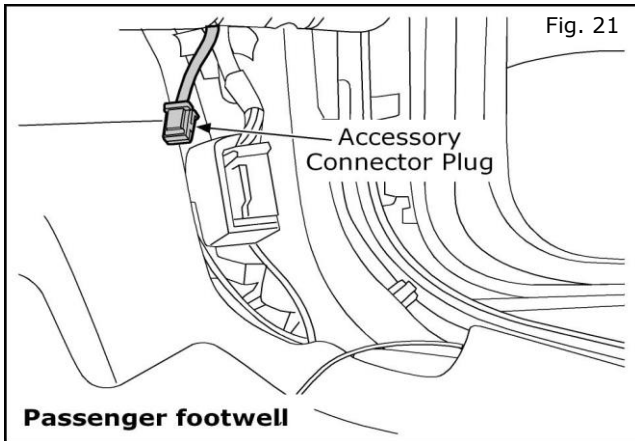
NOTE: Be sure to secure the Control Module just ahead of the middle clip with a cable tie.

NOTE: Do NOT secure the wiring to the drain tube in any way.



INSTALLATION INSTRUCTIONS - Illuminated Kick Plate Kit

12. INSTALLATION

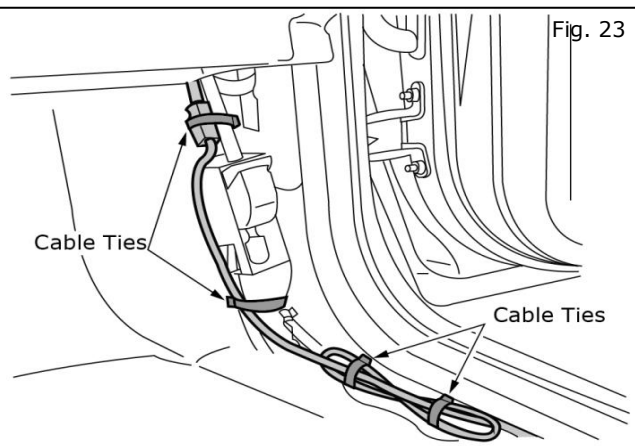


21. Locate the **passenger side** Accessory Connector plug. It will be taped up under the dash along the outer wall of the footwell. Pull the plug free from the tape.

NOTE: REFER TO ACCESSORY CONNECTOR DIAGRAM ON PAGE 11

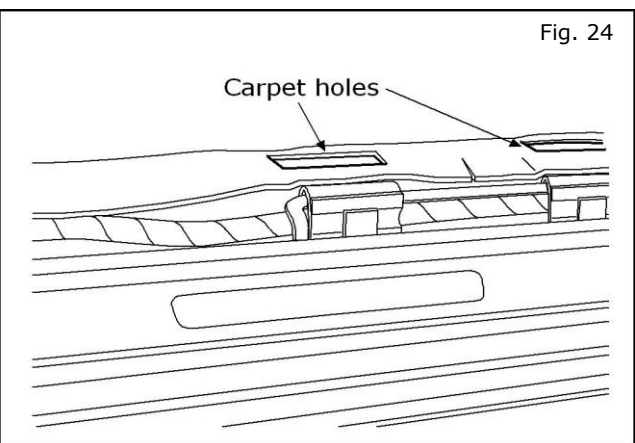
22. **Plug** the Accessory Connector Harness into the vehicle connector plug on the **passenger side**.

HARNESS NOT INCLUDED IN KIT. REFERENCE PART NUMBER 999Q9 AY000.



23. Plug the Accessory Connector Harness into the vehicle connector plug on the driver side. Bundle any excess wiring as shown and use cable ties to secure the connector to the existing harness.

NOTE: A functionality test is recommended at this time. Refer to Check Out procedure on page 18.

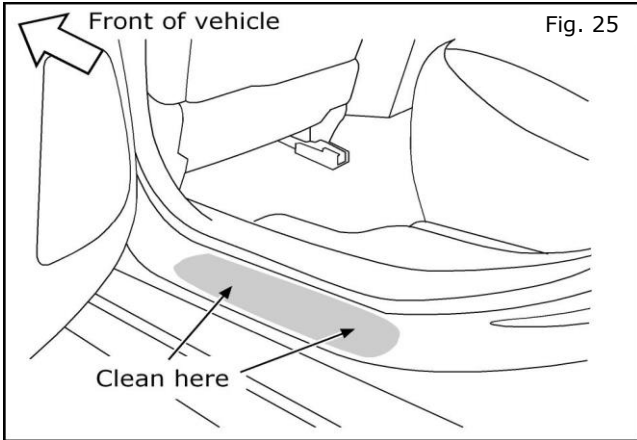


24. **Reinstall** the side trim panels on both sides of the vehicle along the bottom door seals from the seat to the footwell .
(See Figs. 1 and 2).

Note: Be sure to align the rectangular carpet holes with the harness routing clips.

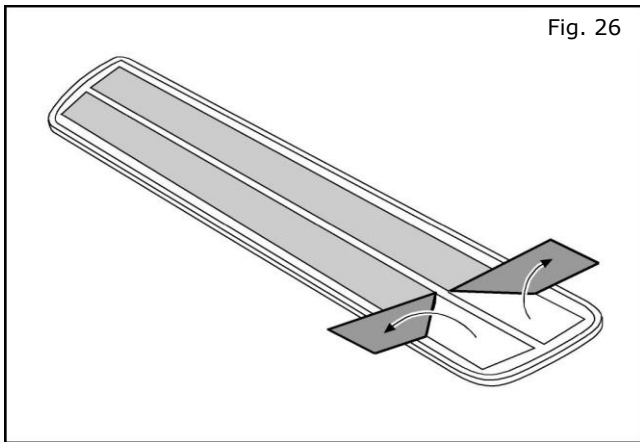
INSTALLATION INSTRUCTIONS - Illuminated Kick Plate Kit

12. INSTALLATION

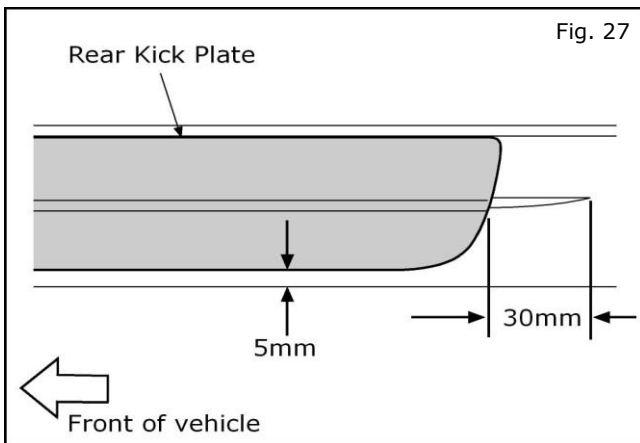


REAR DOORS (NON ILLUMINATED)

25. **Clean all mounting surfaces with alcohol wipe before final installation.**

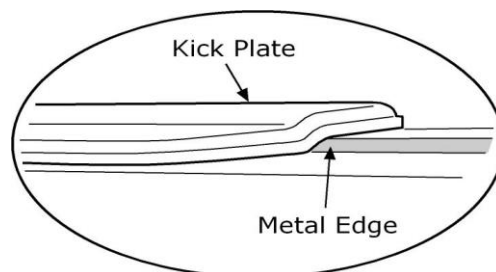


26. Carefully flip the driver rear Kick Plate over. Partially peel away enough of each adhesive liner to fold down a "flag" that will extend beyond the outer edge of the kick plate.



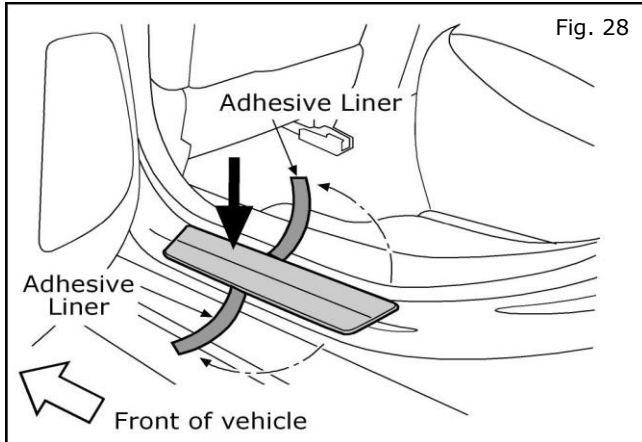
27. Place rear kick plate into position on the door sill. The rear edge should be **30mm** from the end point of the formed edge in the sheet metal of the door sill as shown. Outer edge of kick plate should be **5mm** from the outermost edge of the door sill.

NOTE: Be sure to align kick plate bend with the formed edge in the door sill sheet metal.



INSTALLATION INSTRUCTIONS - Illuminated Kick Plate Kit

12. INSTALLATION



28. Carefully hold rear kick plate in position and remove the liners from the adhesive strips.

Apply minimum 15 lbs of downward pressure evenly along the Kick Plate for at least 30 seconds.

30. REPEAT STEPS 25 THROUGH 28 FOR THE PASSENGER SIDE.

31. Remove clear protective film from all plates.

NOTE: Be sure to trim all cable ties. Check all wiring. Make sure all trim is in place and clips are securely fastened.

INSTALLATION INSTRUCTIONS - Illuminated Kick Plate Kit

13. CHECK OUT

Inspect the vehicle for unfinished work.

- (1) Open front left door.
- (2) Verify the Illuminated Kick Plate turns on.
- (3) Push and hold the door open switch located on the vehicle center pillar.
The kick plate should turn off with the room lamp.
- (4) Repeat steps 1 - 3 with the front right door.
- (5) Verify the functionality of all electrical vehicle components where harnesses were accessed.
- (6) Check and clear Diagnostic Trouble Codes (DTC).
- (7) If this vehicle will be returned to a dealer lot or showroom for an extended period of time, be sure the extended storage switch is placed in the "inventory" position.
(Refer to section 9 - Vehicle Preparation)
- (8) If vehicle is NOT going into storage, reset the radio presets to the recorded settings.

Note: When diagnosing electrical system problems, first disconnect the accessory connectors and note effect on system. Continue the investigation with the accessory connectors disconnected. Remember to reconnect the accessories when the investigation is complete.

INSTALLATION INSTRUCTIONS - Illuminated Kick Plate Kit

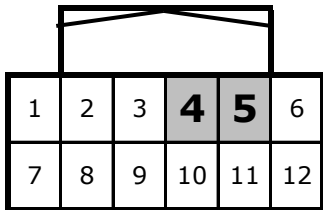
14. Mechanization

Drawing below applies to both LH and RH Illuminated Kick Plates

ASC - P/N 999Q9 AY001



TH12FW-NH



Note:

Pin location referenced looking into wire side of connector.

ILLUMINATED KICK PLATE

